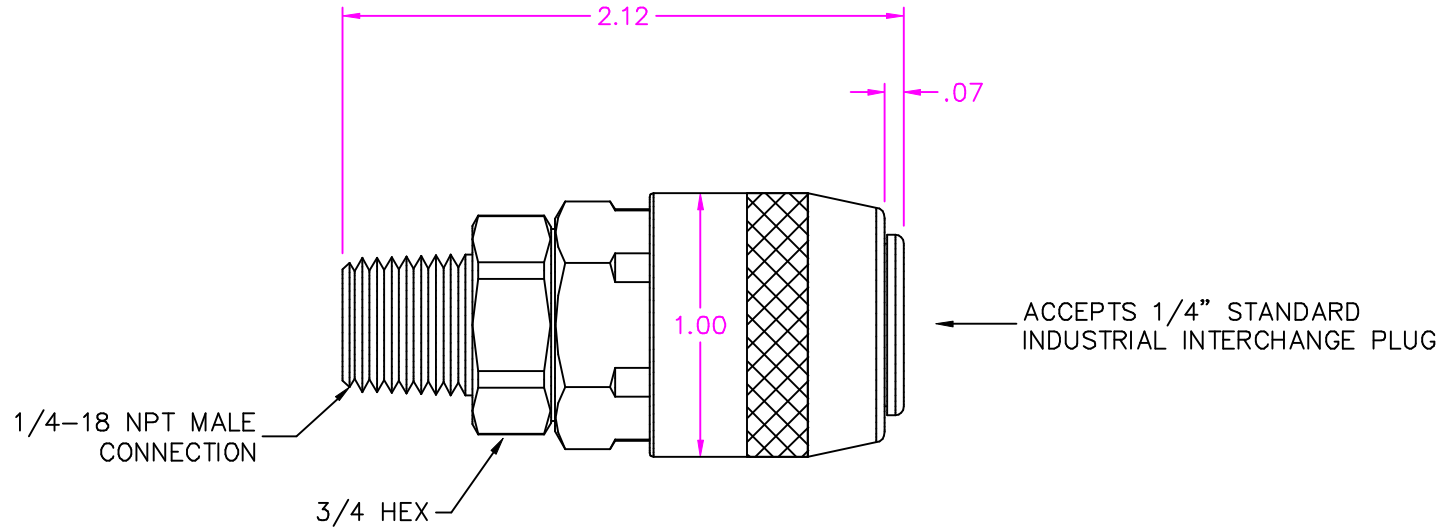


ALL DIAMETERS TO BE CONCENTRIC WITHIN .006 TIR U.O.S.

3103GB

REV	CHANGE	DATE	OK'D

DIMENSIONS ARE FOR REFERENCE ONLY.



TOLERANCES U.O.S. DECIMALS ANGLES .XXX ±.005 ±1/2°	FINISH
MATERIAL	HEAT TREAT

FOSTER MANUFACTURING COMPANY, INC.
2324 W. BATTLEFIELD ROAD SPRINGFIELD, MISSOURI

TITLE	DATE
3103GB PROFILE DRAWING	10-23-15
2-PIN AUTOMATIC, BRASS, 1/4 MPT	DRAWING NUMBER
	3103GB

SURFACE FINISHES 90 Ra MAX U.O.S. THEORETICAL WEIGHT

THE INFORMATION DISCLOSED IN THIS DOCUMENT IS PROPRIETARY TO FOSTER MFG. CO. AND MAY NOT BE USED FOR MANUFACTURE OR ANY OTHER PURPOSE WITHOUT THE WRITTEN CONSENT OF FOSTER MFG. CO.

OFFICE COPY